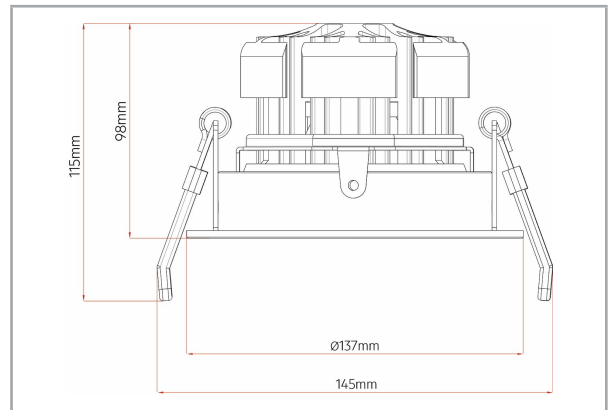
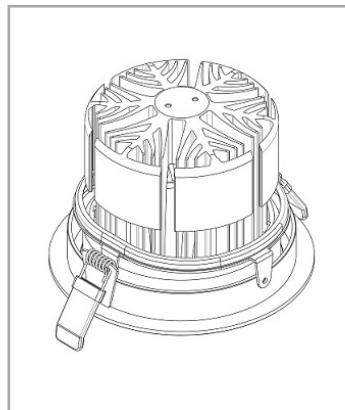


## OPTI-FOCUS DOWNLIGHT SERIES

OPF-A125 | Opti-Focus Recessed Downlight - 26 W - 2725 lm



### COMPLIANCE

EN55015 | EN60598  
EN62031 | EN62471



## PHYSICAL CHARACTERISTICS

INSTALLATION	Ceiling Recessed
CUT-OUT SIZE	125 mm
DEPTH/HEIGHT	98 mm
LENGTH	n/a
WIDTH/DIAMETER	Ø 137 mm
CEILING THICKNESS RANGE	1-25 mm
FIXING SYSTEM	Spring Clips w/ Protection Sleeve
ADJUSTABILITY	Tilt 20°, two-way
IP-RATING	IP20
IK-RATING	IK02
FIXTURE MATERIAL	Die-Cast Aluminium
STANDARD FINISH	RAL 9010 Pure White
FINISH TYPE	Powder Coating

## ELECTRIC / PHOTOMETRIC DATA

LIGHT SOURCE	Chip-on-Board
CHROMATICITY TOLERANCE	3-Step MacAdam
INPUT CURRENT	700 mA
NOMINAL POWER	25,1 W
NOM LUMINOUS FLUX*	2978 lm
NOMINAL EFFICACY	119 lm/W
SYSTEM POWER	26,4 W
LUMINAIRE LUMINOUS FLUX	2725 lm
SYSTEM EFFICACY	103 lm/W
COLOR RENDITION-OPTIONS	Ra 80 / 97
COLOR TEMPERATURE OPTIONS	2700 K / 3000 K / 4000 K
BEAM ANGLE OPTIONS	15° / 24° / 36° / 60°
GLARE CONTROL	UGR < 19
CUT-OFF ANGLE	n/a
STANDARD DRIVER (NON-DIMMABLE)	Tridonic # 87500342
DIMMING OPTION(S)	DALI (+switchDIM)
DIMMABLE-DRIVER(S)	Tridonic # 28000672

## MISCELLANEOUS SPECIFICATIONS

ENERGY CLASS	A+
MAINS VOLTAGE	220-240 V AC
FREQUENCY	50/60 Hz
SAFETY CLASS	III
ENVIRONMENTAL TEMP.	-20°C / +65°C
RATED SERVICE LIFE (h)	50.000 L80 B10
WARRANTY	5 years

\* Given data applies to 3000 K Version. Correction Factor: 2700 K = 0,96 / 4000 K = 1,03

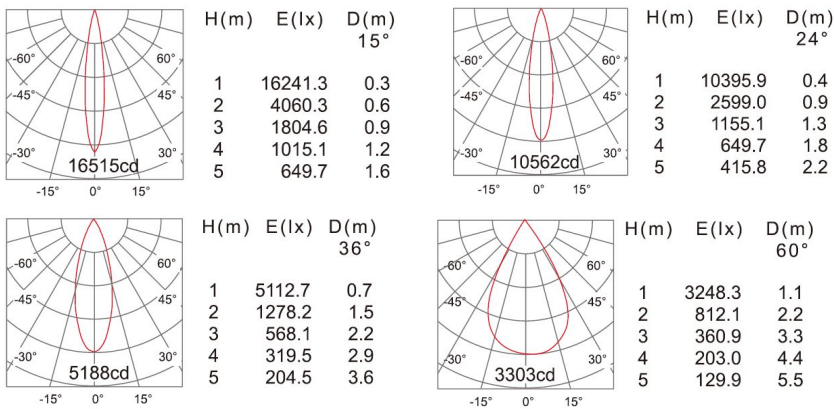
## OPTI-FOCUS DOWNLIGHT SERIES

OPF-A125 | Opti-Focus Recessed Downlight - 26 W - 2725 lm

### DRIVER OPTIONS / SPECIFICATIONS

DRIVER (Brand / OEM #)	TYPE / DIMMING OPTIONS	DIMENSIONS (L x W x H)	OUTPUT POWER	OUTPUT CURRENT	POWER FACTOR	EFFICIENCY FULL LOAD	RIPPLE CURRENT	NOMINAL LIFETIME
Tridonic # 87500342	Switchable (non-dimmable)	157 x 43 x 30 mm	30 W	700 mA	0.95	88%	5%	50.000h
Tridonic # 28000672	DALI-dimmable + switchDIM	215 x 70 x 31 mm	35 W	700 mA	0.98	90%	2%	100.000h

### PHOTOMETRICS



### OPTIONS / ACCESSORIES

- Honeycomb Louvre
- Gold-Plated Optical Reflectors
- Emergency Conversion Kit
- Wieland Connectivity

### PRODUCT / ITEM CODE SELECTION TABLE

QUICK REF.	PRODUCT	VERSION	CUT-OUT	CCT	OUTPUT	CRI	BEAM	DRIVER	LUMINAIRE FINISH
OPF-A125	OPTI-FOCUS DOWNLIGHT	2-WAY ADJUSTABLE	Ø 125 mm	2700 K	2650 lm	Ra80	15°	SWITCHABLE non-dimmable	PURE WHITE RAL 9010
				[ 27 ]	[ 015 ]		[ 1 ]		
				3000 K	2725 lm		24°	[ 024 ]	
				[ 30 ]	[ 036 ]		DALI incl. switchDIM		
4000 K	2800 lm	60°	[ 060 ]	[ 5 ]					
[ G1 ]	[ A125 ]	[ 40 ]	[ 80 ]	[ 01 ]					

Wattage and lumen values may vary by +/- 10% due to thermal effects, driver losses, output current tolerances and voltage variations. Technical specifications are subject to change without notice.